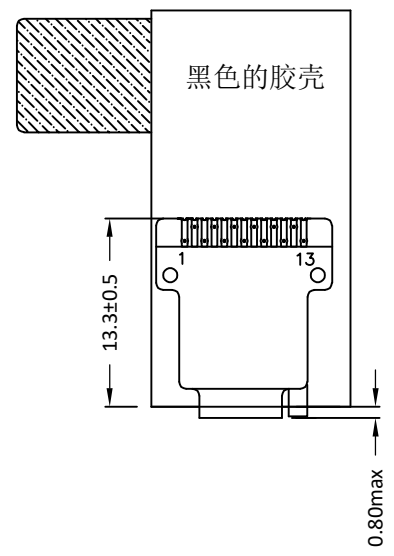
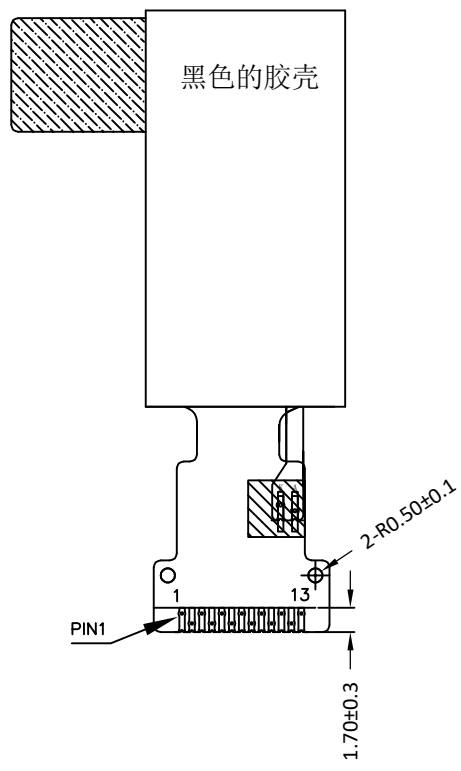
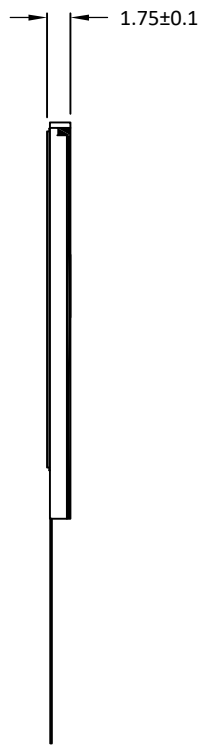
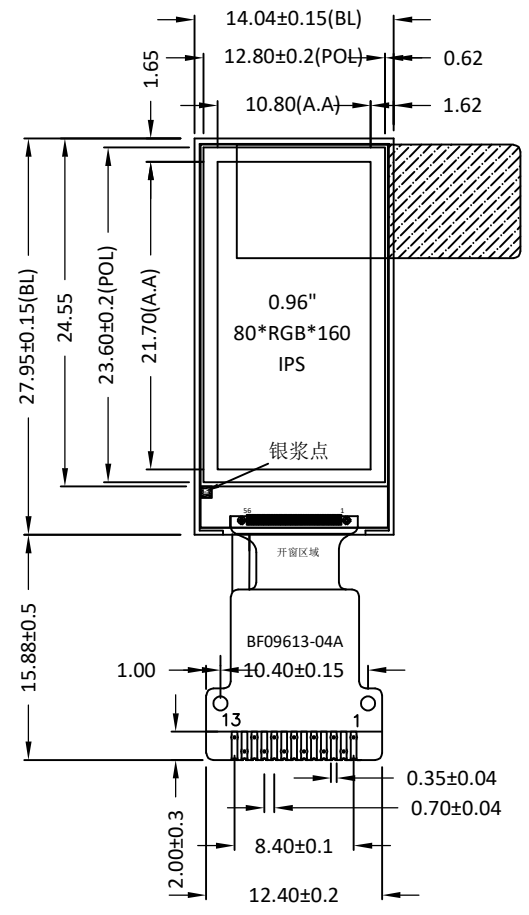


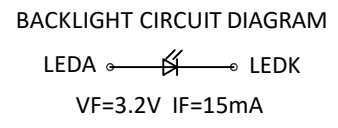
Version	1.0	2021-05-15	New Issue				
---------	-----	------------	-----------	--	--	--	--



PIN	SYMBOL
1	TPO
2	TP1
3	SDA
4	SCL
5	D/C
6	RESET
7	CS
8	GND
9	NC
10	VDD
11	LEDK
12	LEDA
13	GND

SPECIFICATIONS:

- 1. DISPLAY TYPE: 0.96" TFT / 80*160
- 2. DRIVE IC: GC9107
- 3. OPERATING TEMPERATURE: -20 ~ 70°C
- 4. STORAGE TEMPERATURE: -30 ~ 80°C
- 5. VIEWING ANGLE: IPS
- 6. BACKLIGHT: 1-LED / 15mA
- 7. CUSTOMER PART NO.: BOCEN STANDARD PRODUCT



BOCEN DISPLAY TECHNOLOGY CO., LTD.		
DESIGNED BY: David	BF09613-04A	VERSION: 1.0
CHECKED BY: William		NO.: 1 OF 1
APPROVED BY: Rio		UNIT: mm
Website: http://www.bocentech.com		DATE: 2021-05-15