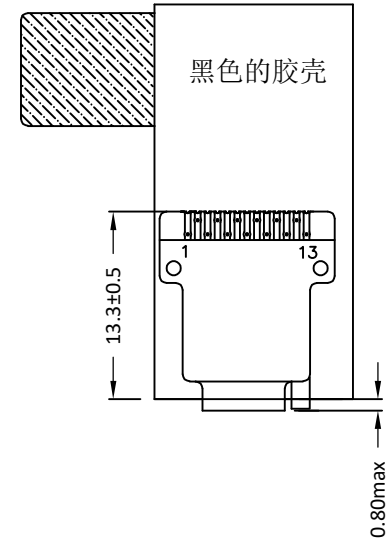
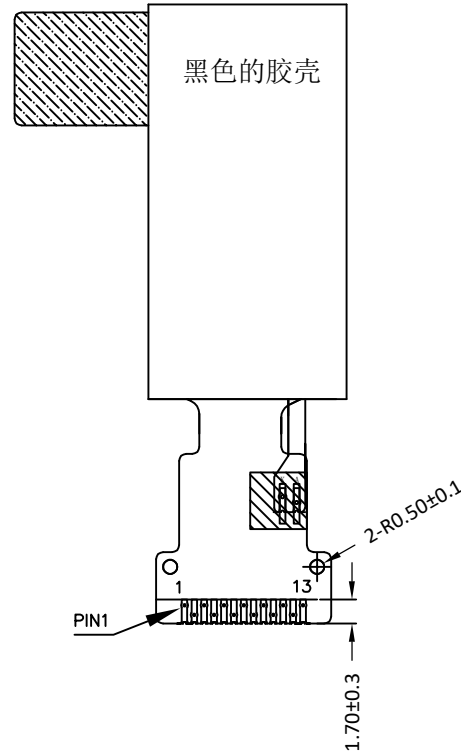
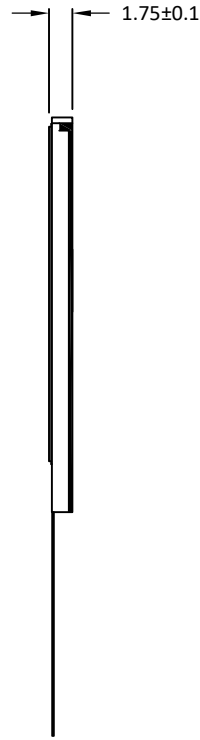
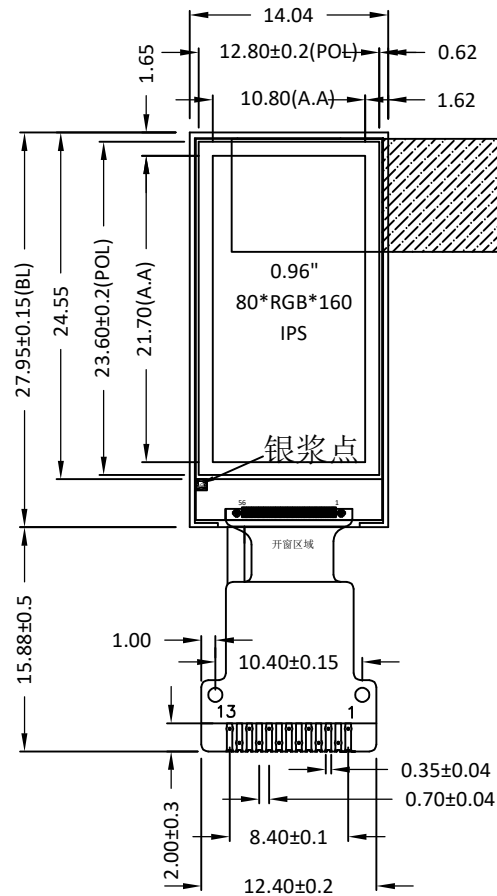


Version

1.0

2020-04-22

New Issue

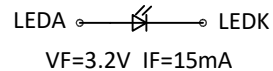


| PIN | SYMBOL |
|-----|--------|
| 1 | TP0 |
| 2 | TP1 |
| 3 | SDA |
| 4 | SCL |
| 5 | D/C |
| 6 | RESET |
| 7 | CS |
| 8 | GND |
| 9 | NC |
| 10 | VDD |
| 11 | LEDK |
| 12 | LEDA |
| 13 | GND |

SPECIFICATIONS:

- | | |
|---------------------------|------------------------|
| 1. DISPLAY TYPE: | 0.96" TFT |
| 2. DRIVE IC: | ST7735S |
| 3. OPERATING TEMPERATURE: | -20 ~ 70°C |
| 4. STORAGE TEMPERATURE: | -30 ~ 80°C |
| 5. VIEWING ANGLE: | IPS |
| 6. BACKLIGHT: | 1-LED / 15mA |
| 7. CUSTOMER PART NO.: | BOCEN STANDARD PRODUCT |

BACKLIGHT CIRCUIT DIAGRAM



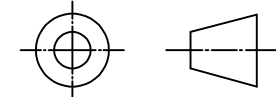
BOCEN DISPLAY TECHNOLOGY CO., LTD.

DESIGNED BY: David

BF09613-03

VERSION: 1.0

CHECKED BY: William



NO.: 1 OF 1

APPROVED BY: Rio

UNIT: mm

Website: <http://www.bocentech.com>

DATE: 2020-04-22